

# Multivent Series of Centrifugal Fans



## A Fan For All Reasons

*Westaflex has released a powerful new centrifugal fan model - the Multivent extract fan. The Multivent Series of Centrifugal Fans is probably the most revolutionary range of ventilation FANS to be launched on the market for many years. With its unique design it is capable of meeting flow requirements for kitchens, laundries, WC's and bathrooms. The centrifugal fan is ducted via 100mm diameter ducting, allowing easy installation in areas where space is a problem. The ducting run can be extended, with a run of 12 metres not causing excessive airflow loss.*



By



**westa flex**  
ESTABLISHED 1974

Australia Pty. Ltd.

# CF234 Multivent Fans

## Flush Fitting Version

- The CF234 benefits the installer, as each fan does not require different pre-installation procedures for wiring and ducting systems.
- The fan casing can be fitted first, the ducting installation completed, and then the internal fan assembly just snaps in at the installers convenience - usually following completion of decorating (this puts an end to site damage and theft).
- The unique versatility of airflow rates in the new CF234 fans means that you can select the air-flow rate (3 options) to suit the room you are installing in. This is achieved by an integral performance selector switch inside the fan, which allows the installer to select appropriate room and usage setting. The 3 performance ratings are 28, 45, 65 litres per second.
- The Centrifugal fan design means that air-flow pressure can be maintained for runs in excess of 12 metres, even when small diameter ducting is used.
- The flush mount model has a low overall height of 141mm, allowing it to be easily fitted between floors.
- The Flush mount (wall or ceiling) - low profile grille is easily removed for cleaning.

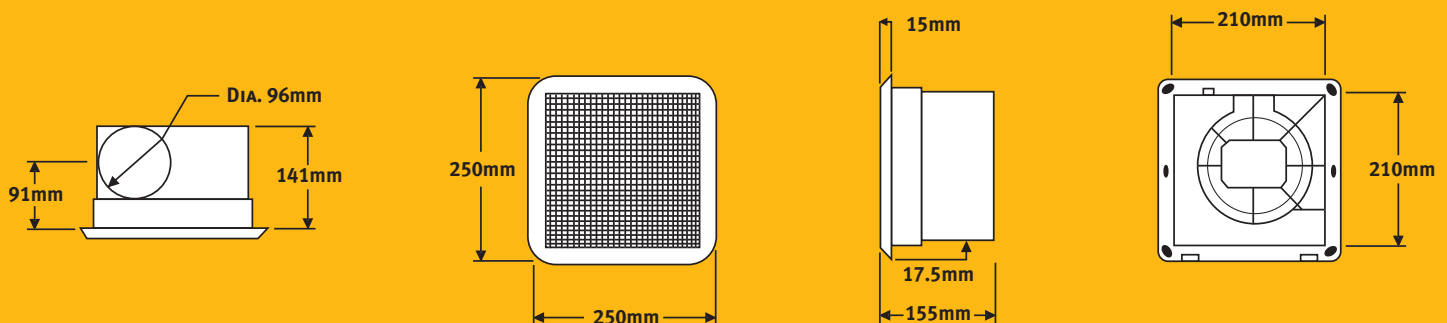


Suitable for wall or ceiling mount

## Flush Fitting Range

Description	Stock Code	Order Code
Standard Model - switched from light switch	FFCF234S	SEC0038
Pullcord Model - switched from fan	FFCF234P	SEC0500
Timer Model	FFCF234T	SEC0499
Timer Pullcord Model	FFCF234TP	SEC0503
PIR activated Model	FFCF234PIR	SEC0501
Humidistat Control Model	FFCF234HT	SEC0502

## Dimensions of Flush Mount FFCF234



# CF234 Multivent Fans

## Surface Mount Version

- Surface mount option can be wall mounted & ducted.
- **Options include:**
  - Standard** - switched from the light switch
  - Pullcord** - switched from the fan
  - Timer** - the fan will run on as set, between 1 - 20 mins after you leave the room, clearing all residual steam.
  - PIR** - the fan is activated when someone enters the room.
  - Humidistat** - Turns fan on when humidity levels rise.
- Two year no quibble warranty

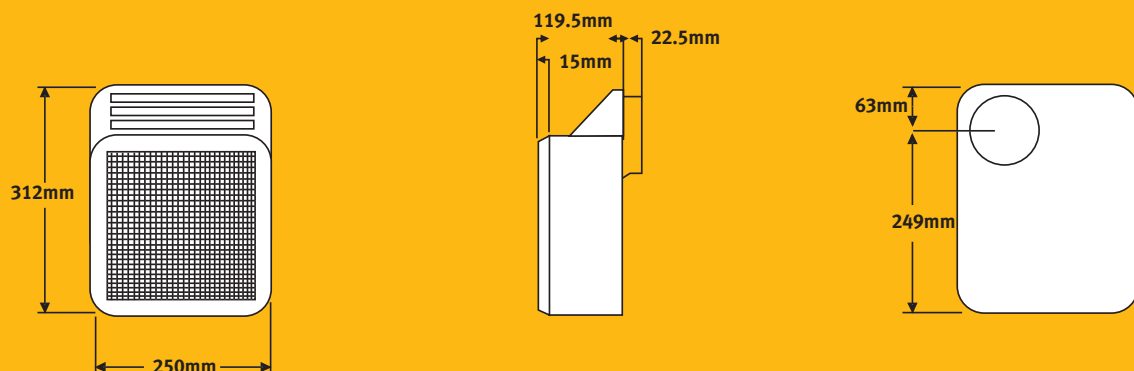


Suitable for wall or ceiling mount

## Surface Mount Range

Description	Stock Code	Order Code
Standard Model - switched from light switch	SMCF234S	SEC0504
Pullcord Model - switched from fan	SMCF234P	SEC0506
Timer Model	SMCF234T	SEC0505
Timer Pullcord Model	SMCF234TP	SEC0509
PIR activated Model	SMCF234PIR	SEC0507
Humidistat Control Model	SMCF234HT	SEC0508

## Dimensions of Surface Mount SMCF234





# CF234 Multivent Fans

## SPECIFICATIONS

### Construction

The CF234 fans are moulded in impact resistant high gloss ABS thermoplastics for strength, durability and appearance. Fitted with a powerful backward curved centrifugal impeller. A spring operated non return flap is built into the discharge spigot to prevent back draughts.

### Electrical

220-240V ~ A.C. 50Hz   . Single phase consuming a maximum 60 watts. These fans are double insulated and do not require an earth. All wiring must comply with Australian electrical regulations.

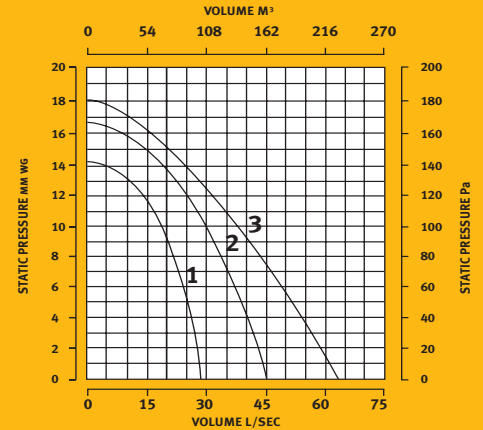
### Motor

Single phase induction motors with sealed for life bearings fitted for a long maintenance free life and protected by an auto-reset thermal cut-out.

### Installation

All models are designed to be mounted on walls or ceilings and discharged through 100mm (4") diameter flexible ducting. Also suitable for use with the low profile flat channel ducting systems 100mm or 125mm ranges.

### Performance Graph



Setting	Maximum Pressure	Watts	Fans Speed (RPM)	Performance	Sound Volume dB(A)
1	140Pa	20	950	1003hr 28 l/s	37
2	165Pa	40	1500	162m3hr 45 l/s	51
3	165Pa	60	1850	234m3hr 65 l/s	56

# CF200 Multivent Fans

(Also Available)

## CF200 Centrifugal 100mm (4") Extractor Fan

- Extracts up to 31 litres per second, 110m<sup>3</sup>/hour
- For bathrooms, toilets, utility rooms etc
- Designed for use with longer lengths of ducting, suitable for wall or ceiling mounting
- Back draught shutter is included

